

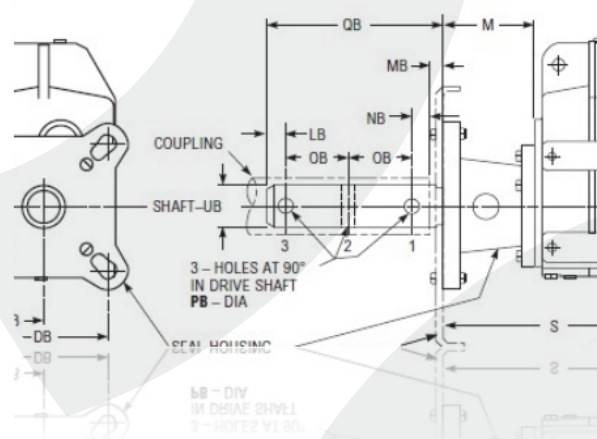
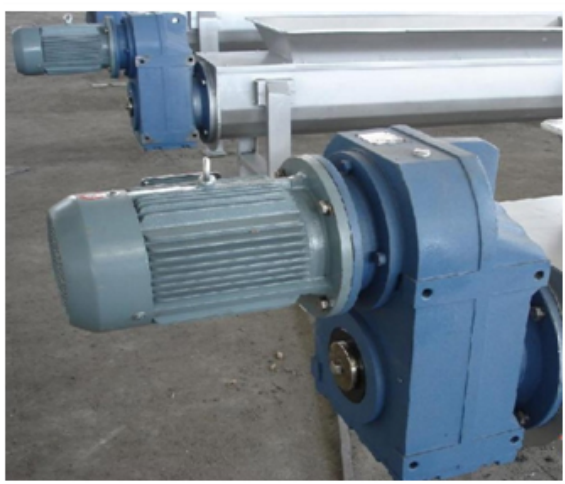
Series F - Screw Conveyor (SSC)

Parallel Shaft Mount Helical Geared Motors and Reducers

Unit Sizes:	04, 06, 07, 08, 09, 10
Gear Ratios:	7.1:1 to 100:1 in two stage; Up to 360:1 in three stage
Input Power:	Up to 50 HP (Up to 37 Kw)
Output Torque:	Up to 51400 lb.in (Up to 5800 Nm)
Motor Sizes:	NEMA frames from 56C to 280TC (IEC frames from 63 to 225)

Features:

- Optimized Sealing System
- Standard CEMA mounting
- Flexible flange with multiple option
- Assembled to standard unit – no modification required
- Taper grip style drive shaft



Case Size	Shaft Dia.	Max. Torque (ib.in)
04	1-1/2", 2", 2-7/16", 3"	3540
06	1-1/2", 2", 2-7/16", 3"	7960
07	1-1/2", 2", 2-7/16", 3"	15,220
08	1-1/2", 2", 2-7/16", 3", 3-7/16"	26,660
09	2", 2-7/16", 3", 3-7/16"	37,120
10	2-7/16", 3", 3-7/16"	51,400

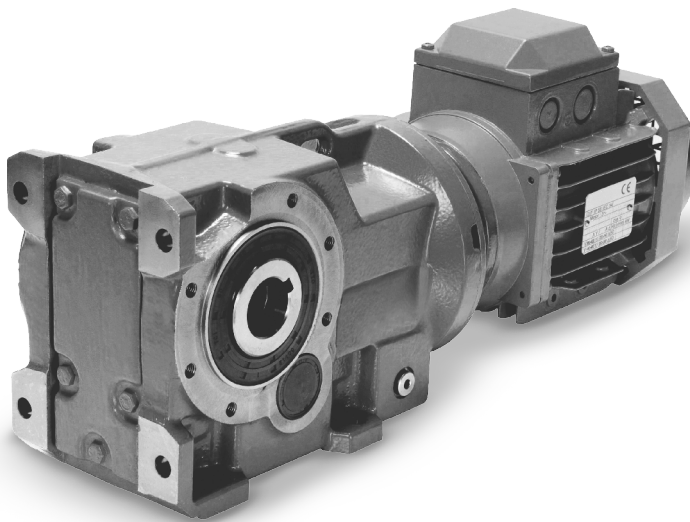
Series K - Screw Conveyor (SSC)

Right Angle Shaft Mount Helical Bevel geared Motor and Reducers

Unit Sizes:	08, 09, 10
Gear Ratios:	8:1 to 125:1 in three stage; Up to 7100:1 in five stage
Input Power:	Up to 60 HP (Up to 45 Kw)
Output Torque:	Up to 63700 lb.in (Up to 7200 Nm)
Motor Sizes:	NEMA frames from 56C to 320TC (IEC frames from 80 to 225)

Features:

- Optimized Sealing System
- Standard CEMA mounting
- Flexible flange with multiple option
- Assembled to standard unit – no modification required
- Taper grip style drive shaft



radicon 

Radicon Drive Systems, Inc.

2475 Alft Lane, Elgin, IL 60124 USA

M: +1 888 MY-GEARS (69-43277)

P: +1 847 593-9910

Email: SalesUSA@radicon.com

Web: www.radicon.com

